



National
Qualifications
2021 ASSESSMENT RESOURCE

X835/76/11

**Graphic Communication
Supplementary sheets**

Duration — 2 hours

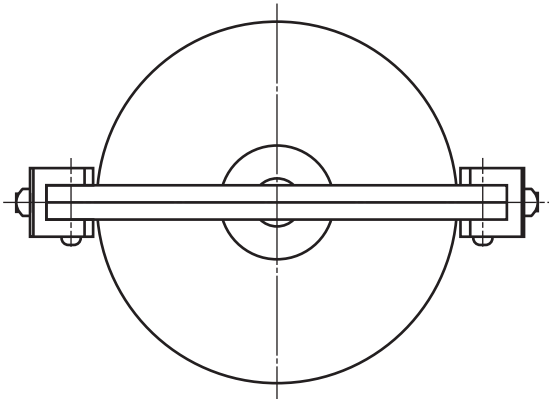
Supplementary sheets 1 to 5, for use with questions 1, 2 and 3.



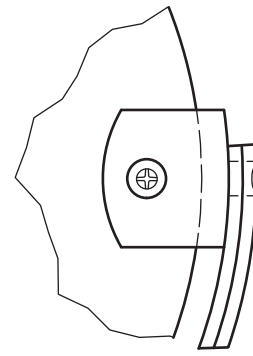
* X 8 3 5 7 6 1 1 *



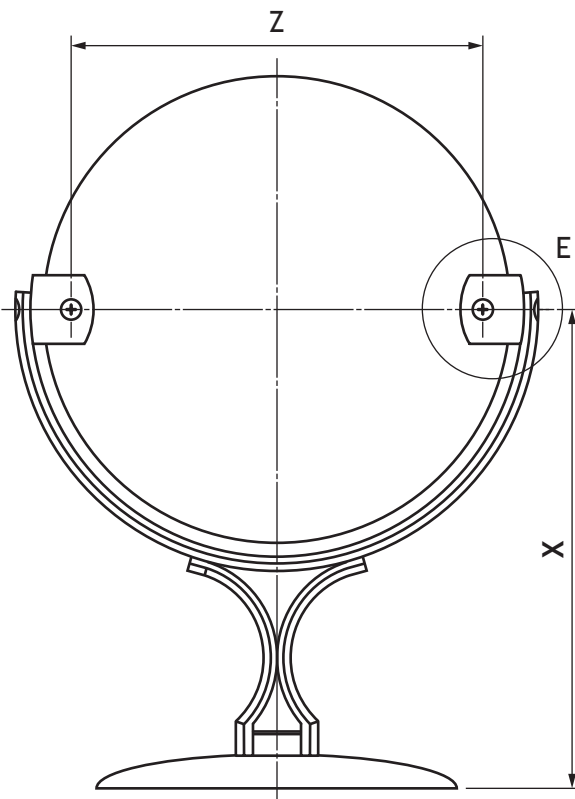
ASSEMBLED ORTHOGRAPHIC



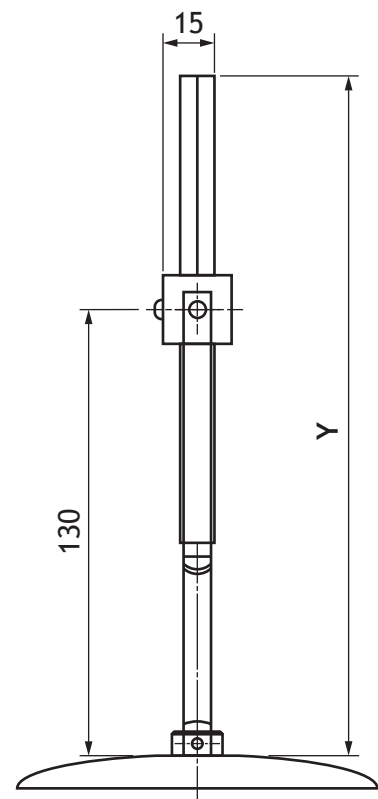
PLAN



ENLARGEMENT VIEW E

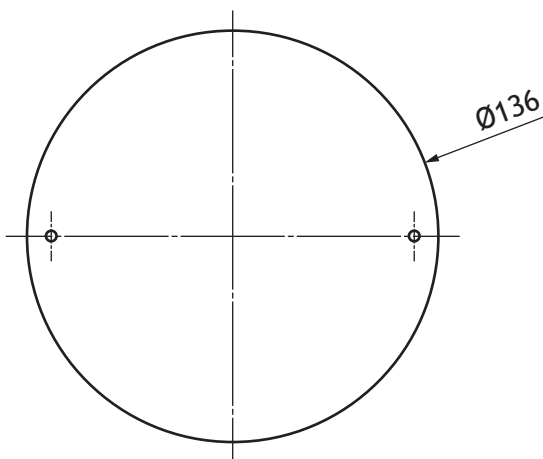


ELEVATION

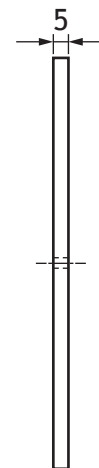


END ELEVATION

MIRRORED GLASS PANEL (1:2.5)

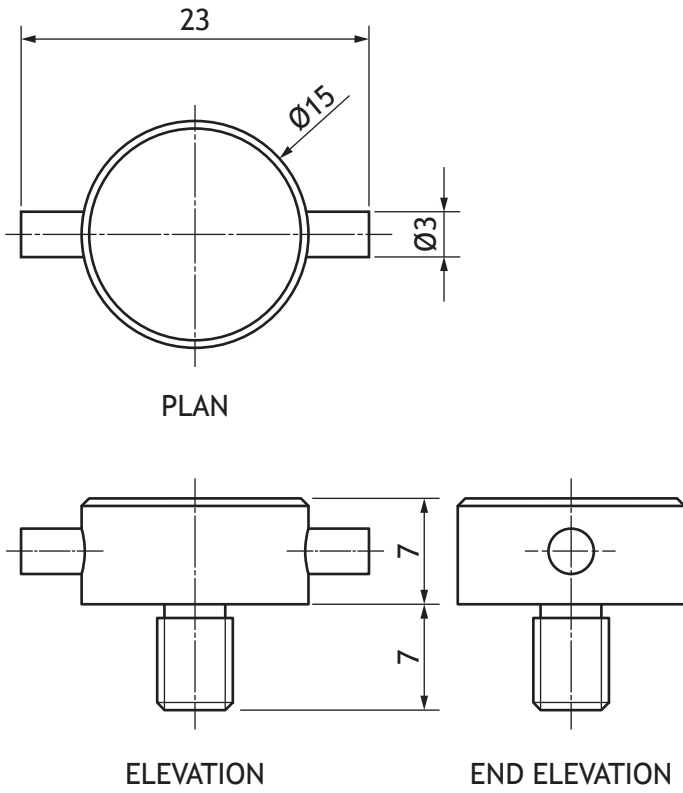


ELEVATION

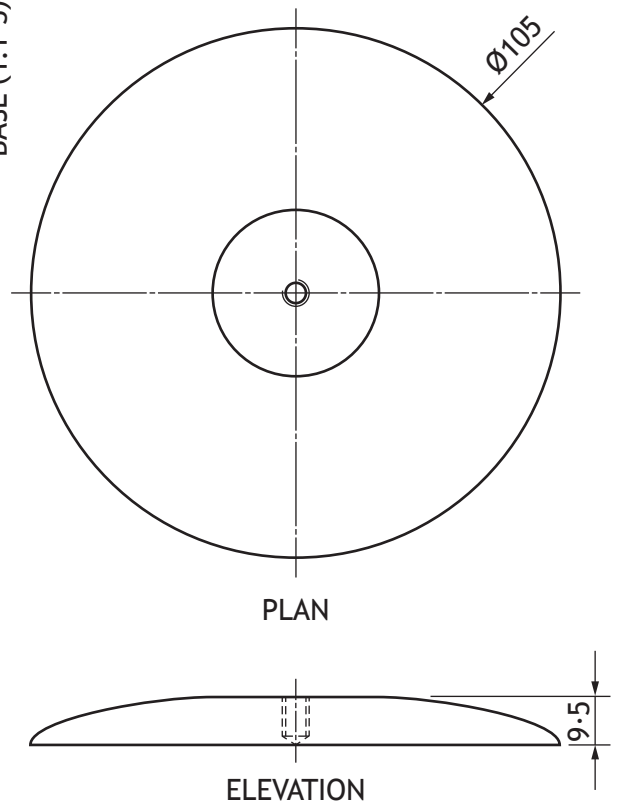


END ELEVATION

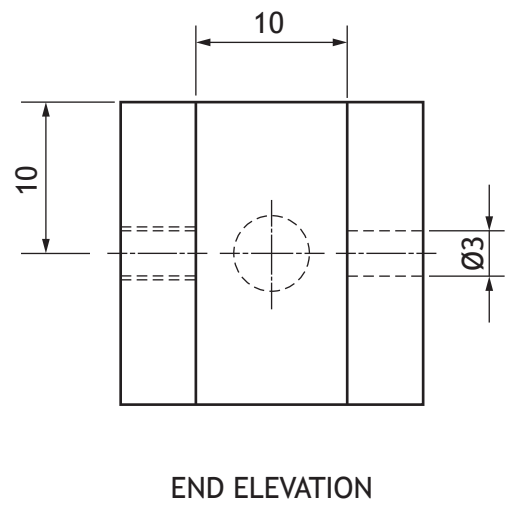
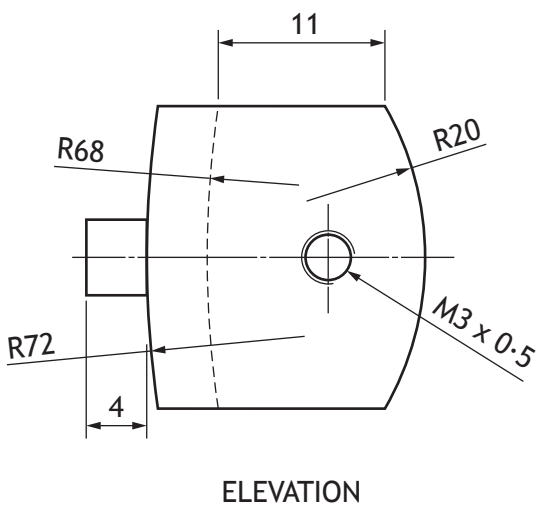
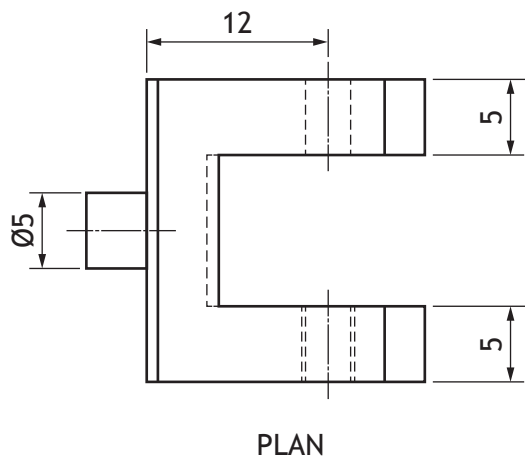
MOUNTING SCREW (2:1)

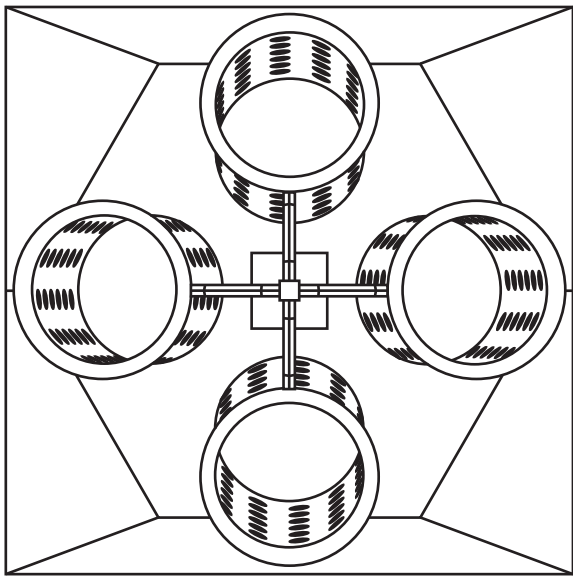


BASE (1:1.5)



MOUNTING BRACKET (2:1)

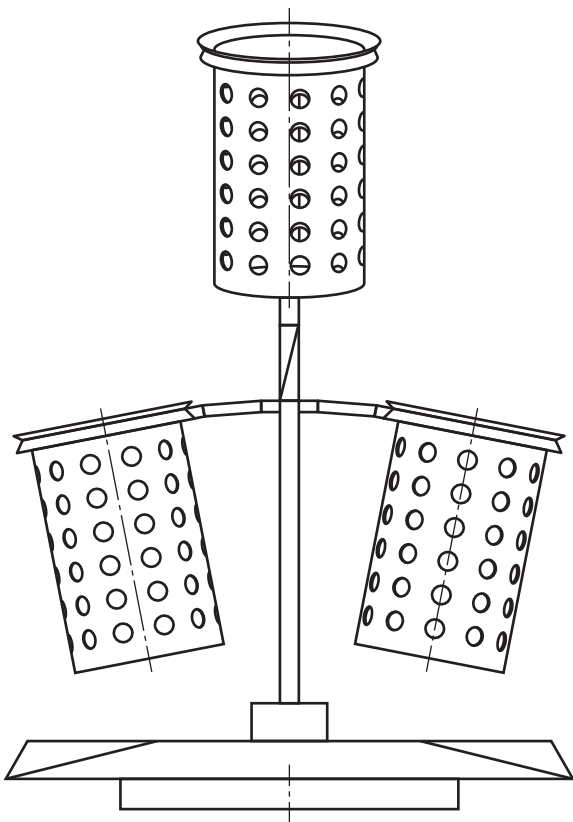




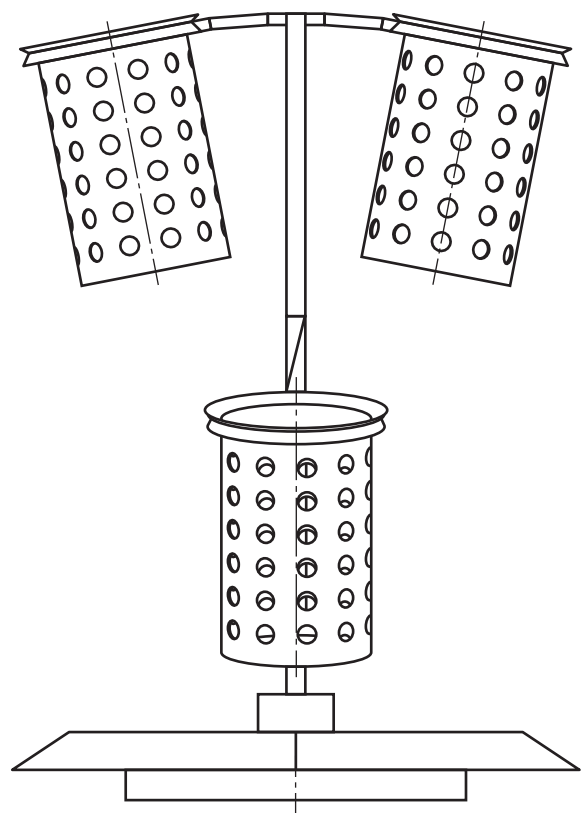
PLAN



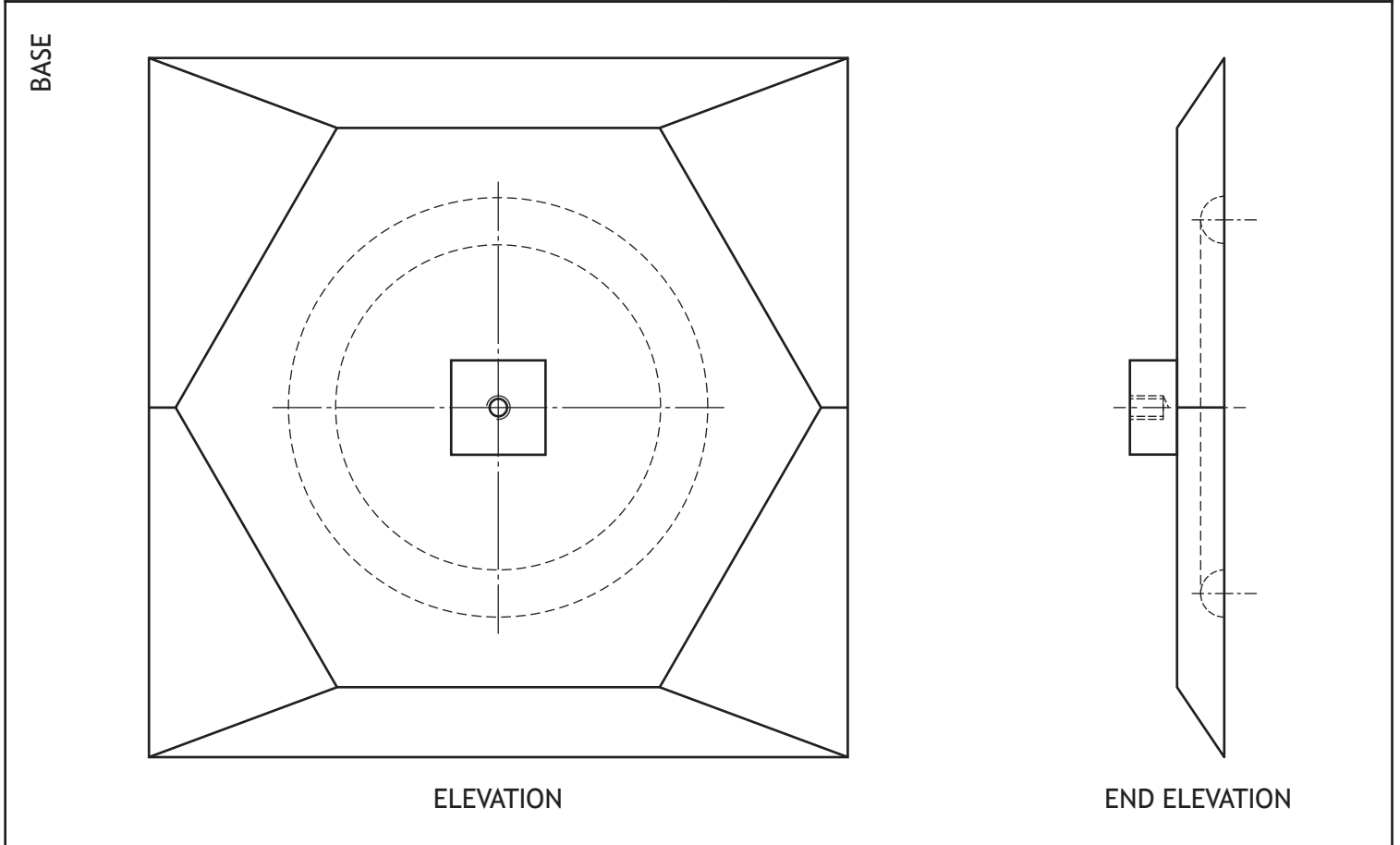
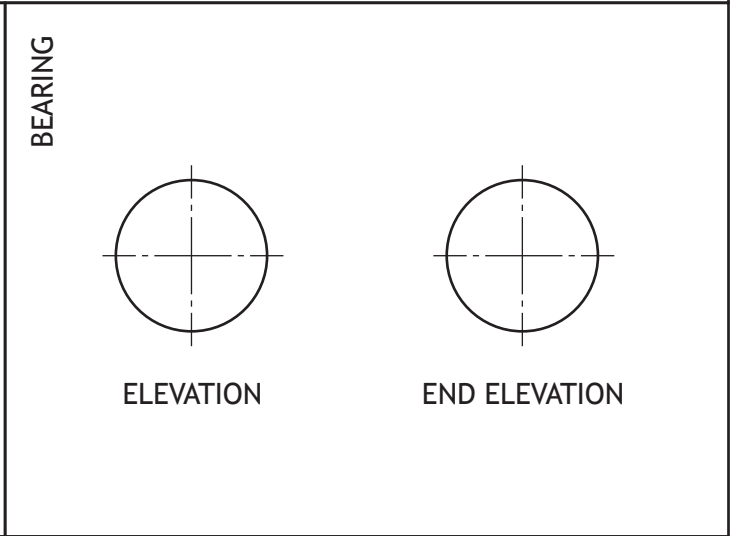
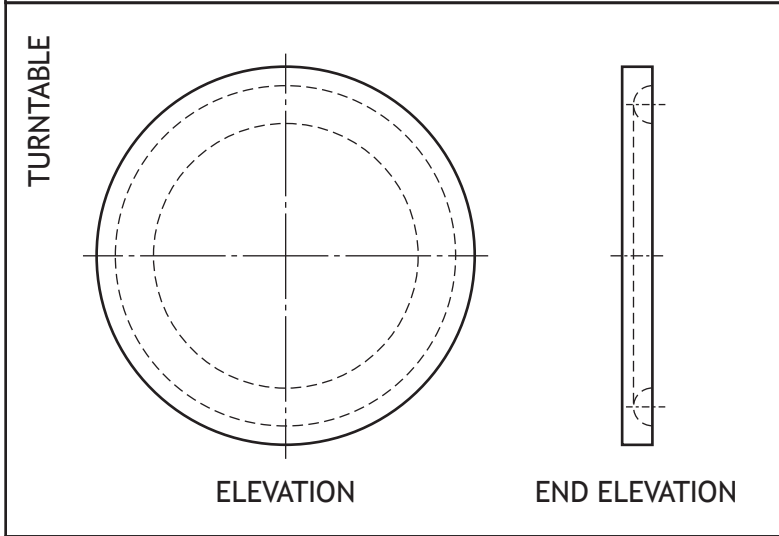
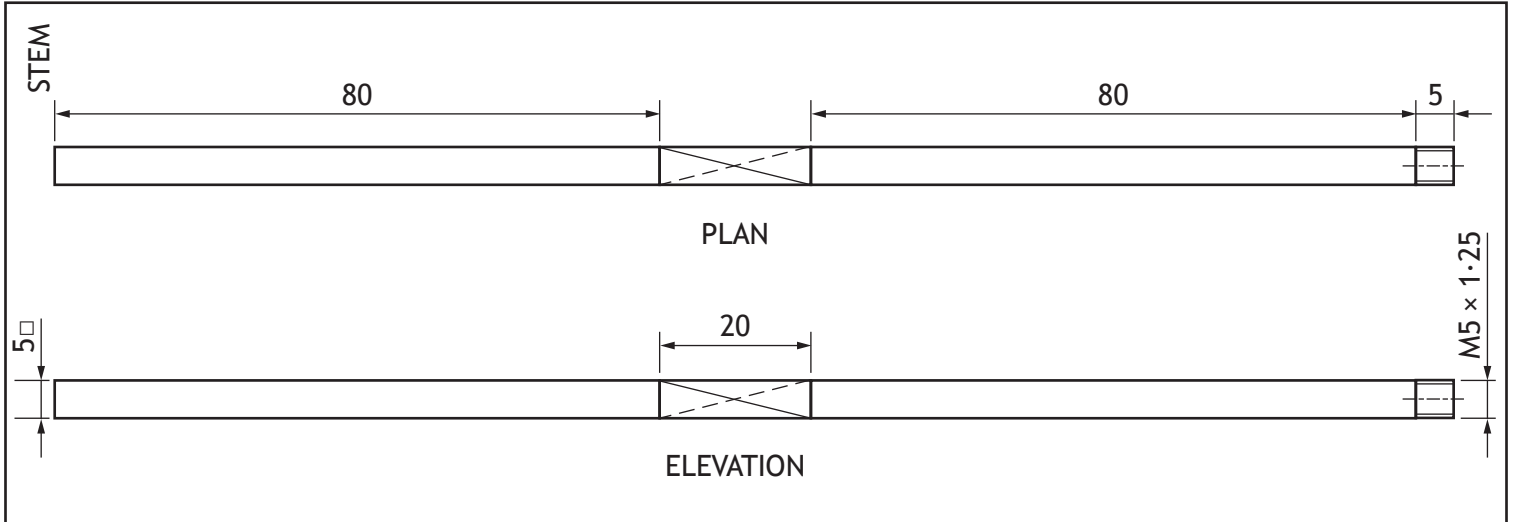
PICTORIAL ILLUSTRATION



ELEVATION



END ELEVATION



EST. 2018

SPECIALITY TEA & COFFEE

THE CAFE

EATERY & TAKEAWAY

Evening Menu **3 TO 10**
MONDAY - SUNDAY

STARTERS

SOUP OF THE DAY	£2.95
CHICKEN DIPPERS	£3.95
GARLIC MUSHROOMS	£3.95
PRAWN COCKTAIL	£4.25
BUFFALO WINGS	£5.25
HALLOUMI BITES	£3.50
MOZZARELLA BALLS	£3.25
BRUSCHETTA	£4.50

SHAKE IT!

FRESH MILKSHAKES

- BANANA
- STRAWBERRY
- CHOCOLATE
- VANILLA

ONLY
£3.50

— HOT DOGS —

- THE CAFE DOG** | 10 | Enjoy our classic hot dog in a freshly baked bun. served with our secret sauce.
- CHICAGO DOG** | 12 | 100% beef hot dog served with onions, tomatoes, pickles and mustard.
- TEX MEX DOG** | 12 | 100% beef hot dog with jalapeno's, spicy chilli and cheddar cheese.
- SALSA DOG** | 12 | 100% pork hot dog under tangy tomato salsa and soured cream.
- THE BIG DOG** | 15 | Foot long pork hot dog, served with crispy onions and bacon. Finished with relish and mustard.

TWO MEALS for £15

Special Offer

2 MEALS FOR £15

On All Main Meals

MONDAY to FRIDAY

LOCAL PRODUCE

We support local farmers and buy our ingredients from local suppliers as much as possible.

FRESHLY MADE

We make all of our food fresh every day in our kitchen. We never reheat food or use frozen products.

FAIR TRADE

We use fair trade coffee and chocolate.

— MAIN MEALS —

- HUNTERS CHICKEN** | 13 | Chicken breast topped with BBQ sauce and cheese. Served with chips and peas.
- CHICKEN CURRY** | 14 | Chef's special chicken curry served with rice and naan bread.
- STEAK & ALE PIE** | 14 | Scrumptious steak & ale pie in a rich gravy. Served with mash and market veg.
- LASAGNE & CHIPS** | 13 | Vegetable lasagne with a mature cheddar sauce. Served with garlic bread.
- FISH & CHIPS** | 13 | Beer-battered haddock with triple cooked chips, peas and tartare sauce.

— THE GRILL —

- BIG MIXED GRILL** | 20 | Gammon steak, pork chop, rump steak, sausage, chips and onion rings.
- FLAME BURGER** | 14 | 100% beef patty with cheese and bacon on a seeded bun. Served with chips.
- FILLET STEAK** | 18 | Prime British beef, cooked to your preference and served with steamed vegetables and chips. Ask your server for sauces.
- CATCH OF THE DAY** | 16 | Freshly grilled fish of the day served with boiled potatoes and market veg.

ROOM FOR MORE?

TRY OUR DELICIOUS DESSERTS!

ALL DESSERTS
£4.50

- **STICKY TOFFEE PUDDING**
A moist sponge with dark sticky toffee topping
- **LEMON MERINGUE**
A sweet short crust pastry base filled with lemon filling and topped with peaks of meringue.
- **APPLE & RHUBARB CRUMBLE**
Pieces of apple and rhubarb topped with a crunchy crumble.
- **ICE CREAM SUNDAE**
Vanilla and chocolate ice-cream with biscuit and toffee.

THANKS!

For visiting.
Please visit our
website and vote
for us to help us
to become

#1

restaurant in
Scotland.

[BLANK PAGE]

DO NOT WRITE ON THIS PAGE

Acknowledgement of copyright

Question 3 file404/shutterstock.com