



National
Qualifications
2022 MODIFIED

X835/76/11

**Graphic Communication
Supplementary sheets**

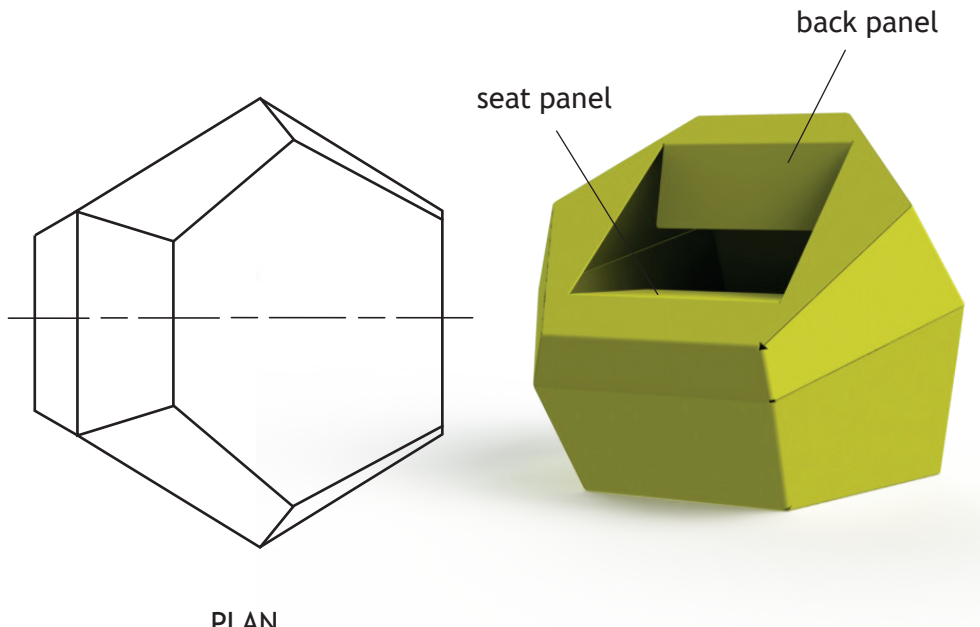
MONDAY, 16 MAY
1:15 PM – 3:15 PM

Supplementary sheets for use with questions 3 and 4.

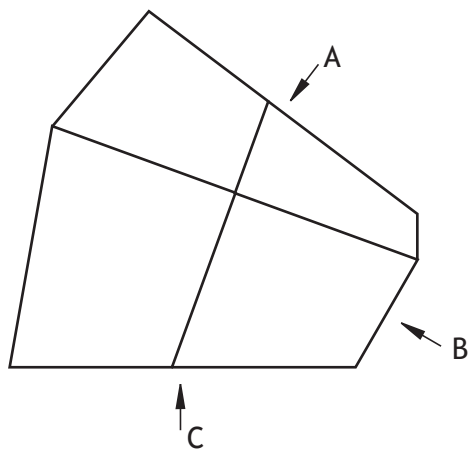


* X 8 3 5 7 6 1 1 *

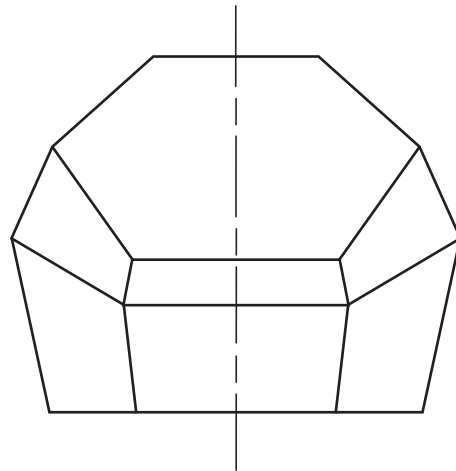
Downloaded free from <https://sqa.my/>



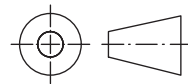
PLAN



ELEVATION



END ELEVATION



[Turn over for next supplementary sheet

DO NOT WRITE ON THIS PAGE



image 1

01

BELIEFS + TRADITIONS

the importance of luck in Japanese culture

In eget sapien vitae massa rhoncus lacinia. Nullam at leo nec metus aliquam semper. Phasellus tincidunt ante nec lacinia ultrices, quam mi dicitum libero. vitae bibendum turpis elit ut lectus. Sed diam ante, lobortis sed, dignissim sit amet, condimentum in, sapien. Pellentesque nec, lectus non risus auctor lobortis.

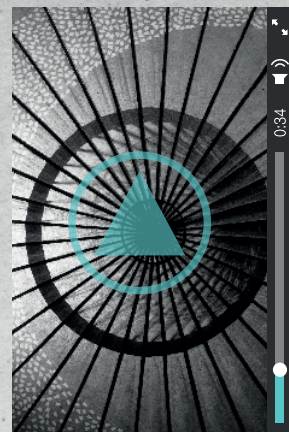


image 2

traditional manufacturing and craft techniques

Nulla vestibulum eleifend nulla. Suspendisse potenti. Aliquam turpis nisi, venenatis non, accumsan nec, imperdiet laoreet, lacus. In purus est, mattis eget, imperdiet nec, fermentum congue, tortor. Aenean ut nibbi. Nullam hendrerit viverra dolor. Vestibulum fringilla, lectus id viverra malesuada, enim mi adipiscing ligula, et bibendum lacus lectus id sem.

READ MORE +



traditional craft

02 ARCHITECTURE + HERITAGE

Looking back to shape the future

Vivamus vel sapien. Praesent nisl tortor, laoreet eu, dapibus quis, egestas non, mauris. Cum sociis natoque penatibus et magnis dis parturient montes, nascetur ridiculus mus. Nullam eleifend pharetra felis. Mauris nibh veli, tristique ac, lacinia in, scelerisque et, ante. Donec viverra tortor sed nulla. Phasellus nec magna. Aenean vehicula, turpis in congue eleifend, mauris lorem aliquam sem, eu eleifend est odio et pede. Mauris vitae mauris sit amet est rhoncus laoreet. Curabitur facilisis, urna vel egestas vulputate, reitls purus accumsan ante, quis facilisis dui nisl a nunc.

Nulla vestibulum eleifend nullit. Suspendisse potent. Aliquam turpis nisi, venenatis non, accumsan nec, imperdiet laoreet, lacus. In purus est, mattis eget, imperdiet nec, fermentum congue, tortor. Aenean ut nibh. Nullam hendicent viverra dolor.

+ READ MORE

03 CEREMONY + RITUAL

the art of performance and perfection

In eget sapien vitae massa thoncus lacinia. Nullam at leo nec metus aliquam semper. Phasellus tincidunt, ante nec lacinia ultrices, quam mi dictum libero, vitae bibendum turpis elit, ut lectus. Sed diam ante, lobortis sed, dignissim sit amet, condimentum in, sapien. Pellentesque nec, lectus non risus, auctor, lobortis.

Sed tincidunt varius arcu. Mauris vitae arcu sit amet quam condimentum pulvinar. Aenean arcu elit, accumsan id, consequat ornare, lobortis vitae, ligula. Quisque vitae velit ac sapien placeat suscipit. Donec mollis justo sed justo pellentesque sollicitudin. Duis bibendum adipiscing nibh. Maecenas diam risus, molestie ut, porta et, malesuada eget, nisi.

READ MORE +



rural pagoda

image 3



geisha performance

image 4



[BLANK PAGE]

DO NOT WRITE ON THIS PAGE

[BLANK PAGE]

DO NOT WRITE ON THIS PAGE

[BLANK PAGE]

DO NOT WRITE ON THIS PAGE

Acknowledgement of copyright

Question 4 <https://www.pexels.com/photo/woman-wearing-red-and-gold-kimono-2918482/>
<https://www.pexels.com/photo/person-holding-brush-drawing-kanji-script-1498273/>
<https://www.pexels.com/photo/japanese-lucky-coin-cat-932261/>
<https://www.pexels.com/photo/grayscale-photography-of-people-walking-towards-torigate-96931/>
<https://www.pexels.com/photo/red-umbrella-707673/>
<https://www.pexels.com/photo/app-business-connection-device-221185/>
<https://pixabay.com/photos/paper-white-grey-handmade-1332019/>